

SPECIFICATION

Customer : _____

Customer's Model No. : _____

Model No. : LG300 Series _____

Date : _____

Sample Serial No. : _____

Spec. Version & Revision Date: V1.0 2004.04.22 _____

Received/Approved by



Web : <http://www.champtek.com>

E-mail : sales@champtek.com

ChampTek Incorporated

5/F, No. 2, Alley 2, Shih-Wei Lane, Chung Cheng Rd.,

Hsin Tien City, Taipei, Taiwan, R.O.C.

Tel : 886-2-22192385

Fax : 886-2-22192387



Revision History

Version	Date	Context
1.0	2004.04.22	Golden release



TABLE OF CONTENTS

A. General Description	4
B. Physical Characteristics.....	5
C. Electrical Characteristics.....	6
D. Performance.....	7
E. Scan Map.....	8
F. Environmental.....	8
G. Readable Symbologies.....	9
H. Pin Assignment.....	9
I. Reliability.....	12
J. Packing.....	13
K. Part Number	14



A. General Description

This brand-new designed handheld CCD scanner has inherited the characteristic of “ high performance with low price” from its previous series. Aside from the principle of excellence mechanical design, it also installs with many user-friendly operations; extra-large trigger enable user to access the trigger in any scanning position, detachable cable, 4-in-1 interface, and 2 years product warranty; these have added-up additional values to it.

Performance: this scanner supports reading depth up to 4 inches, best choice for retailers using POS or regular cash register system. User can program this scanner to “ continuous mode” and pair up with matching hand-free stand. Scanning can be an easiest task and be completed with hand-free.

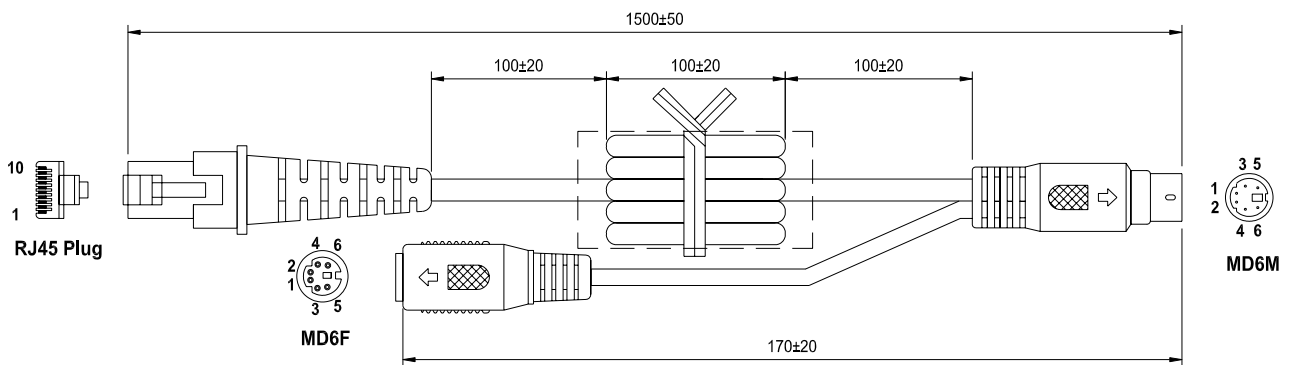
Aid in various major barcodes, hand-on software-programming function, this economical-type barcode scanner is the best choice ever.



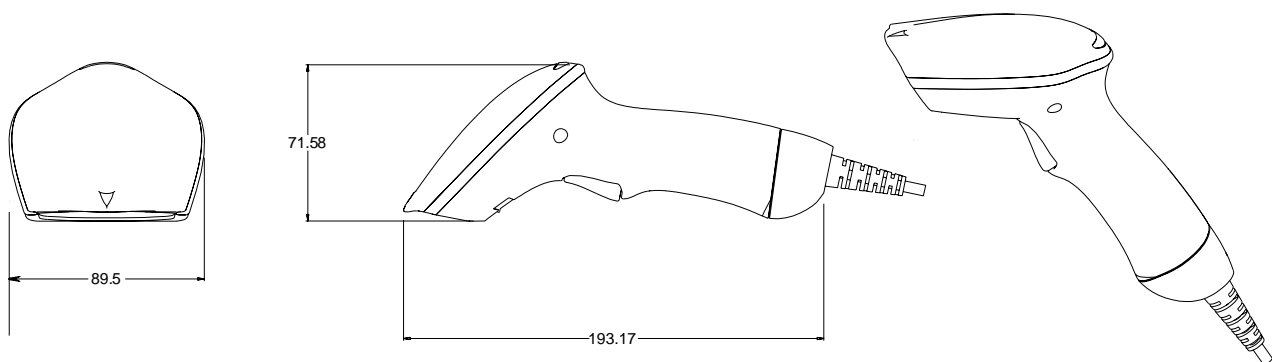
B. Physical Characteristics

Weight	
Body weight	Approx. 4.594 oz (130 gm)
Cable weight	Approx. 2.65 oz (75 gm) @ KB Interface
Material	
	ABS Plastic & Rubber 94 HB Class
Cable Length	5FT. (150cm)
Connector	
	RJ 45C 10Pins
Dimension	193 mm X 90 mm X 72 mm

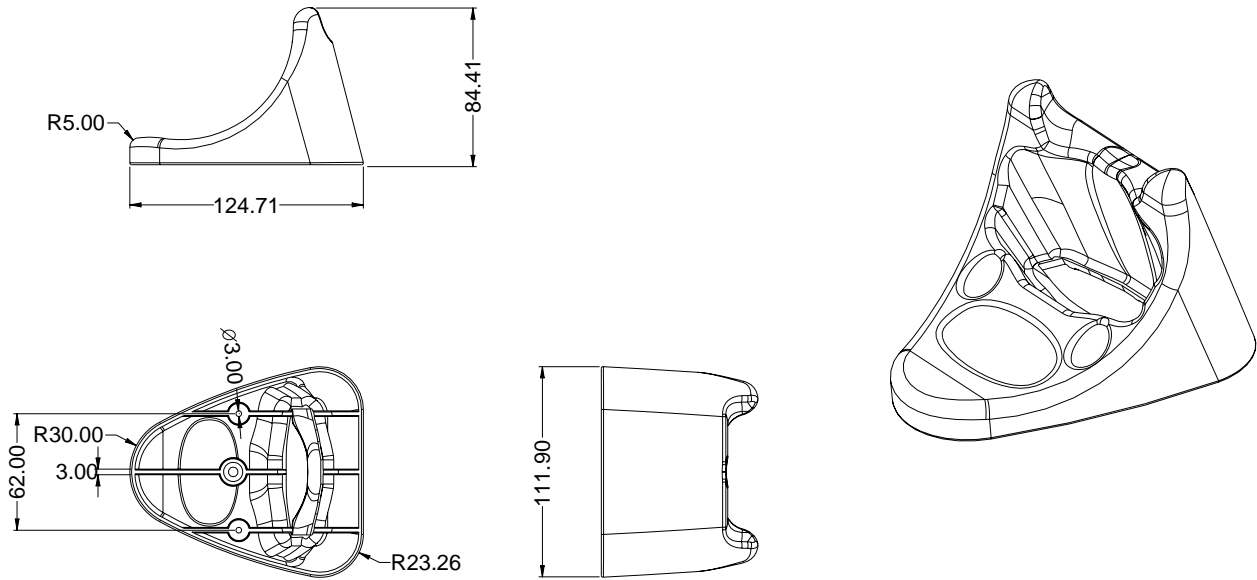
(a)Cable drawing_K/B



(b)Mechanical drawing



Holder(Optional)



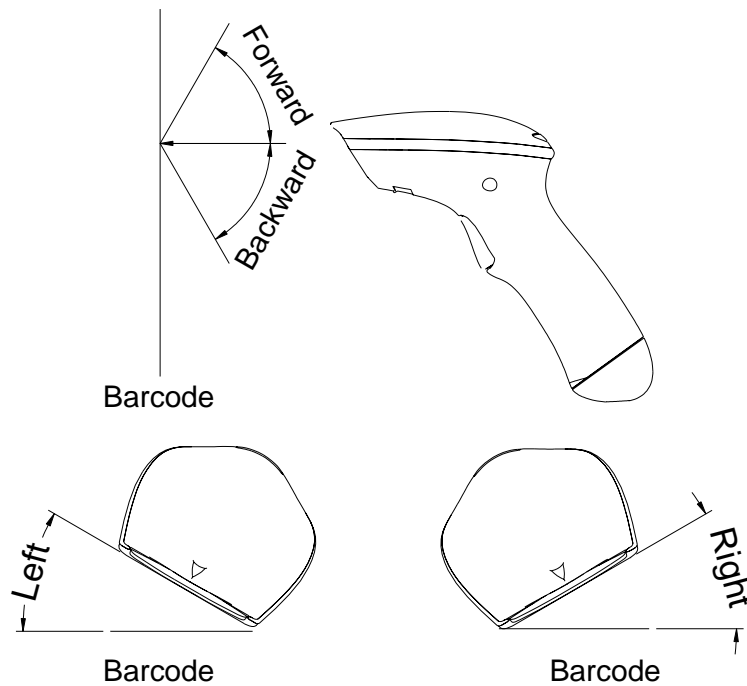
C. Electrical Characteristics

Interface	RS232	WAND Emulation	KB	USB
Supply Voltage	DC +5V ±5%			
Output Voltage (Typ.)	±9V	+5V	+5V	+5V
Output low Voltage (Max.)	-	0.7V	0.7V	0.4V
Current Draw				
Power On (Typ.)	65 mA	50 mA	50 mA	55 mA
Stand by (Typ.)	55 mA	40 mA	40 mA	45mA
Operation (Typ.)	125 mA	110 mA	110 mA	115 mA

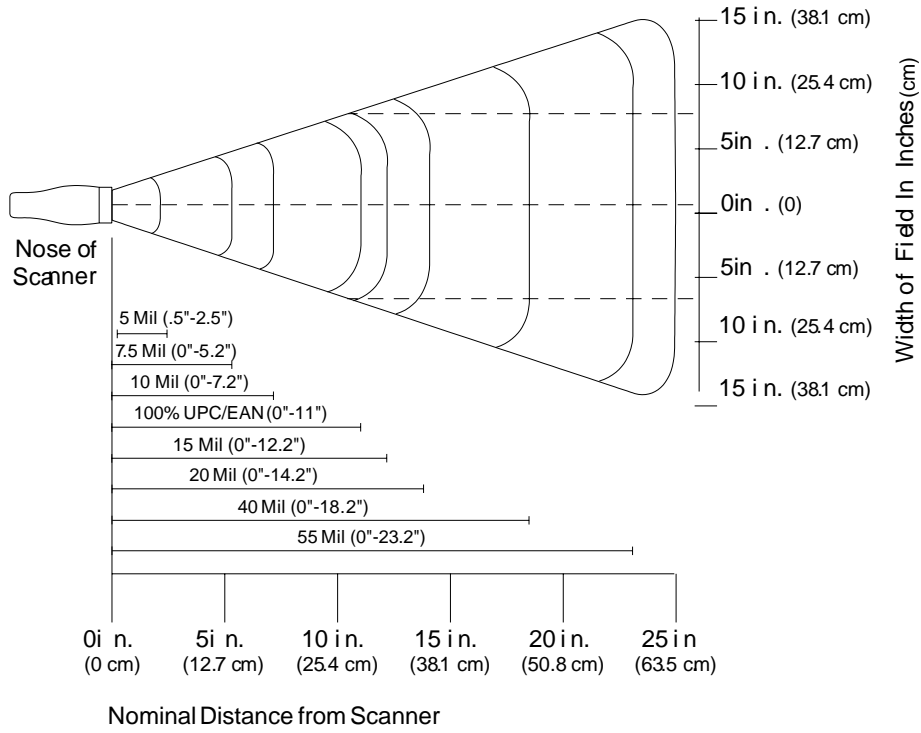


D. Performance

Light Source	Laser Diode , 660 nm
Sensor	Sensor Diode
Processor Type	8051 compatible
Operating Freq	29.4912 MHz
Scan Rate	35 scans/sec
Reading Distance	381mm
Width of Field	53°
Print Contrast Ratio	PCS 0.2@0.127mm
Resolution	0.127mm
Reading Angle	<i>Test Conditions: Code 39, 10mil, PCS 0.9</i>
Forward & Backward	± 85°
Left & Right	± 85°
Dead Zone	± 5°
Ambient Light	
Fluorescent lamp	4844 Lux Max.
Direct sun light	86112 Lux Max.



E. Scan Map



F. Environmental

Operating Temperature	0 °C to 50 °C (32 °F to 122 °F)
Storage Temperature	-20 °C to 70 °C (-4 °F to 158 °F)
Relative Humidity	20% to 95% (Non-condensing)



G. Readable Symbologies

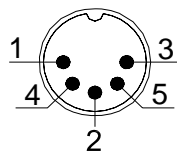
	Readable	Default Enable
All UPC/EAN/JAN	V	V
EAN128 Code	V	V
Code 39	V	V
Code 39 Full ASCII	V	
Code32 / Italian Pharmacy	V	
Code 128	V	V
CODABAR/NW7	V	V
Interleave 25	V	V
Industrial 25	V	
Matrix 25	V	
MSI/PLESSEY	V	
Telepen	V	
Code 93	V	
Code 11	V	
China Postage	V	

H. Pin Assignment

(a) Keyboard Interface

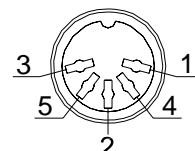
DIN 5 MALE

Pin No.	Function
1	HOST CLK
2	HOST DATA
4	GND
5	Vcc(+5V)



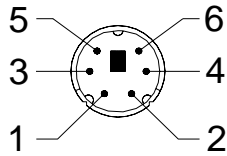
DIN 5 FEMALE

Pin No.	Function
1	KB CLK
2	KB DATA
4	GND
5	Vcc(+5V)



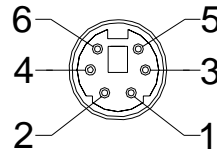
MiniDIN 6 MALE

Pin No.	Function
1	HOST DATA
3	GND
4	Vcc(+5V)
5	HOST CLK



MiniDIN 6 FEMALE

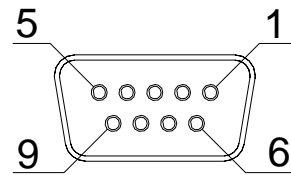
Pin No.	Function
1	KB DATA
3	GND
4	Vcc(+5V)
5	KB CLK



(b) RS-232 Interface

DB 9 Female

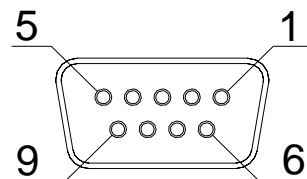
Pin No.	Function
2	TXD
3	RXD
5	GND
7	CTS
8	RTS
9	Vcc/+5V
Power Lead	Vcc/+5V



(c) WAND Emulation Interface

DB 9 Female

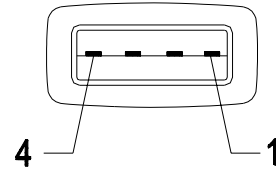
Pin No.	Function
2	DATA
7	GND
9	Vcc



(d) USB Interface

USB A Type Male

Pin No.	Function
1	Vcc
2	D-
3	D+
4	GND

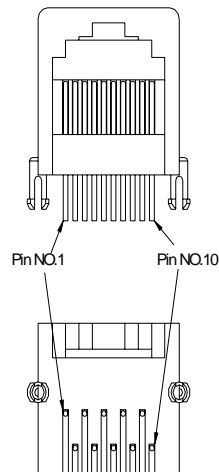


Decoder Data Output

Type RJ45 10P

Pin No. Function

1	RTS
2	HOST DATA
3	GND
4	HOST CLK
5	Vcc (+5V)
6	KB CLK
7	TXD
8	KB DATA
9	RXD
10	CTS



I. Reliability

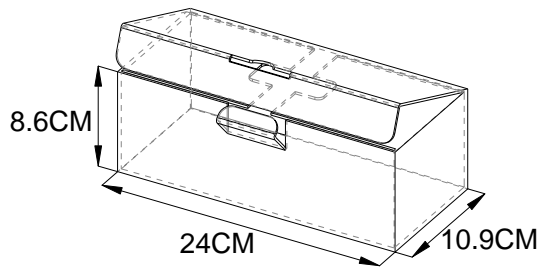
Life Time	
Light Source	40,000 hours
Trigger Switch	1,000,000 times
MTBF(Calculated)	20,000 hours
Thermal Shock	
High Temp.	60 °C (140 °F)
Low Temp.	-20 °C (-4 °F)
Cycle time	30 minutes for high temp. , 30 minutes for low temp.
Cycles	24 cycles
Cable Bending Test	25,000 times minimum (30 times/min @ 500g/90 °)
Mechanical Shock	40 inch (100 cm) Drop on Concrete Surface



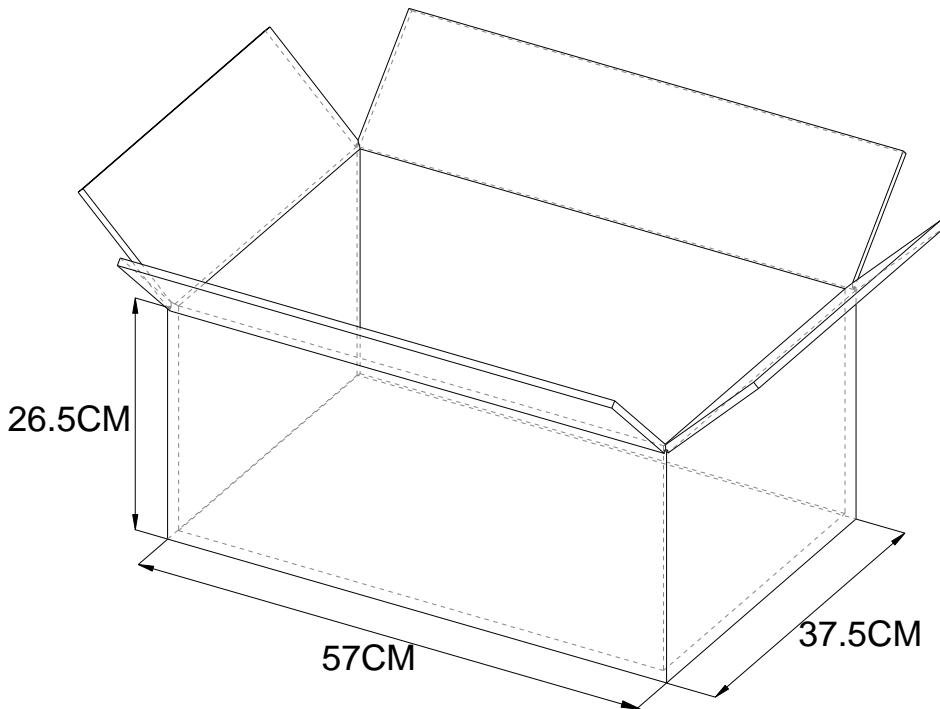
J. Packing

Dimension	
Unit	24 cm X 10.9 cm X 8.6 cm
Carton	57 cm X 37.5 cm X 26.5 cm
Weight	
Unit	350 g
Carton	8 Kg (Q'ty :20 pcs)
Storage	
Temperature	-20 °C to 60 °C (-4 °F to 140 °F)
Humidity	20% to 95% (Non-condensing)

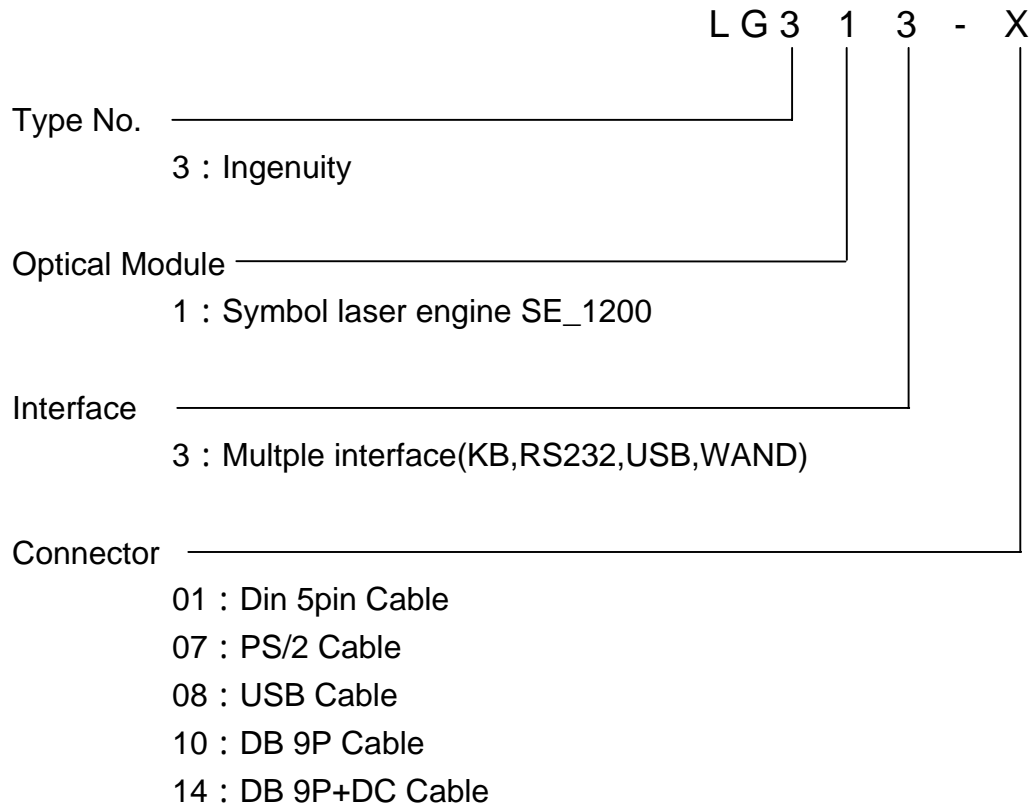
Unit :



Carton :



K. Part Number



Cable P/N :

Interface	Color	Cable P/N:
KB	E-Color	004SD805/PS2
	Black	004SD805B/PS2
RS232	E-Color	304SD802
	Black	304SD802B
USB	E-Color	304SD808
	Black	304SD808B

