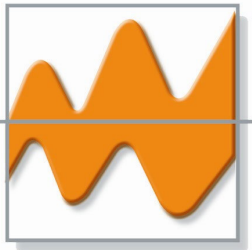


# BALOGH



WWW.BALOGHRFID.COM

## TLEB-891/PUR Transceiver RFID Transceiver

**Industrial RFID Transceiver**

**Orange Product Range**



### Compatible Tags

<b>OMA</b>	Industrial Read-Write Tag Series
<b>GIE</b>	Industrial R/W Enhanced Speed Tag Series
<b>OC</b>	Industrial Fixed Code Read-Only Tags
<b>OF</b>	Industrial Read-Only Tags

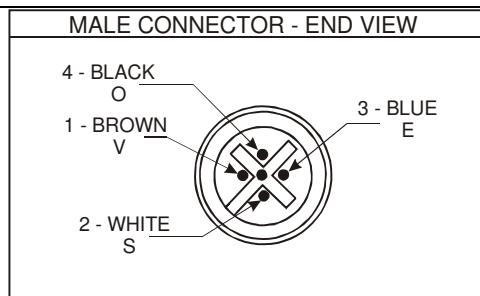
### Description

The TLEB-891/PUR Transmitter/Receiver used with a BALOGH Control Board allows Reading and/or Writing of Electronic TAGS, type; OC, OF, OFR, OMA, GIE or for Dialog Communications with another BALOGH Transceiver.

### Characteristics

- Power Supply (<10% Ripple) 24 V DC
- Voltage Tolerance -10% +10%
- Max Current Consumption 150 mA
- Min Ambient Temperature -25 °C
- Max Ambient Temperature +50 °C
- Distance Between Transceivers 170 mm
- IP 67 Rated
- Weight: 85 g
- Rislun Casing
- Polyurethane Potting
- Protected Against Polarity Reversal
- Protected Against Load Short-Circuit

### QC Connector Pin-Out



### QC Connection to Main Board

Terminals	Connections
1	+V DC
2	Output
3	Input
4	0V DC

<b>Tag Compatibility Information Chart</b>						
<b>Tag Type</b>		<b>OMA-711</b>	<b>OMA-731</b>	<b>OMA-831</b>	<b>OMA-851</b>	<b>OMA-931</b>
Maximum Range		20 mm	16 mm	25 mm	--	25 mm
Static Transmission Zone	Typical Height at Sr	8 mm	6.5 mm	10 mm	--	10 mm
	Typical Length at Sr	50 mm	40 mm	60 mm	--	60 mm
	Typical Width at Sr	25 mm	25 mm	30 mm	--	30 mm
Dynamic Transmission Zone	Minimum Length at Sr	40 mm	40 mm	40 mm	--	45 mm
	Max Lateral Offset	7.5 mm	4 mm	200 mm	--	7.5 mm
	Max Angular Offset	20 mm	20 mm	12 mm	--	20 mm

<b>Tag Compatibility Information Chart</b>						
<b>Tag Type</b>		<b>GIE-711</b>	<b>GIE-731</b>	<b>GIE-831</b>	<b>GIE-851</b>	<b>GIE-931</b>
Maximum Range		20 mm	12.5 mm	25 mm	--	25 mm
Static Transmission Zone	Typical Height at Sr	8 mm	5 mm	10 mm	--	10 mm
	Typical Length at Sr	50 mm	36 mm	60 mm	--	60 mm
	Typical Width at Sr	25 mm	22 mm	30 mm	--	30 mm
Dynamic Transmission Zone	Minimum Length at Sr	40 mm	28 mm	40 mm	--	45 mm
	Max Lateral Offset	7.5 mm	4 mm	7.5 mm	--	7.5 mm
	Max Angular Offset	20 mm	20 mm	20 mm	--	20 mm

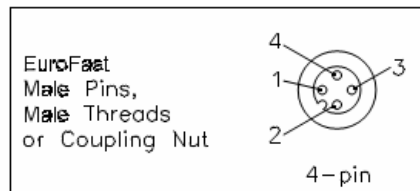
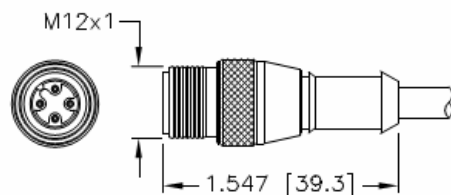
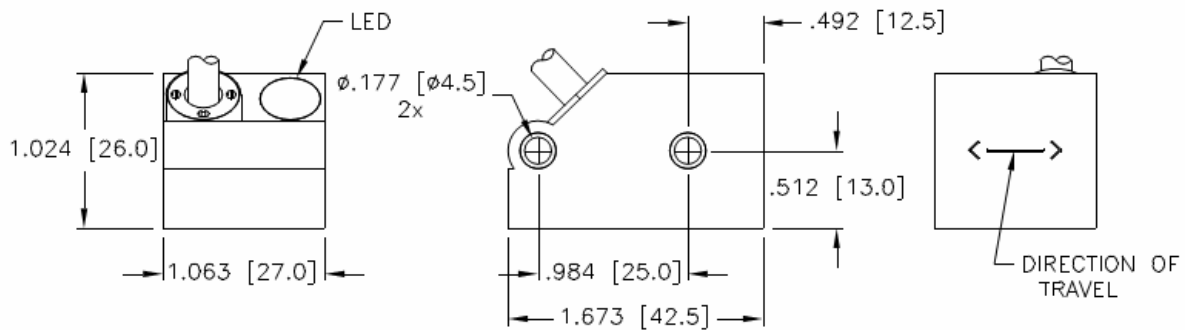
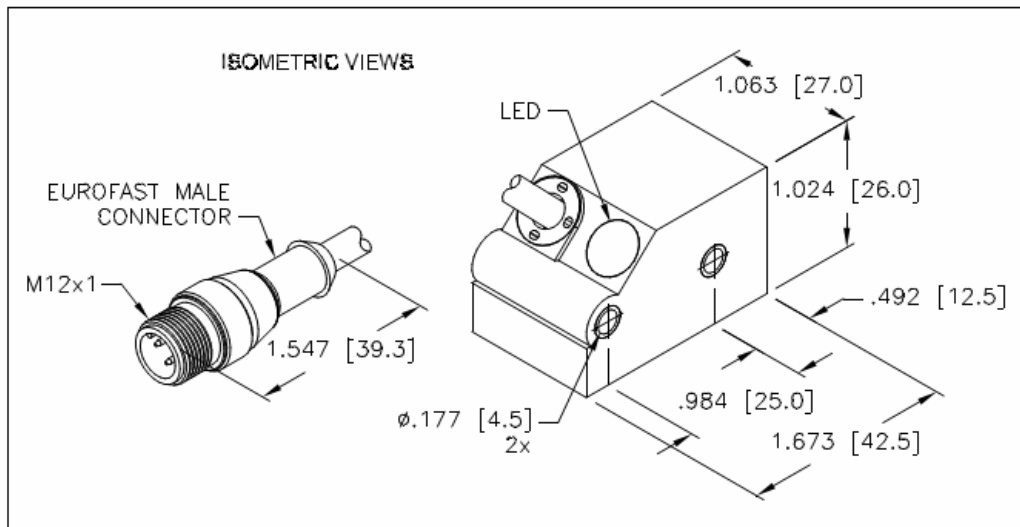
<b>Tag Compatibility Information Chart</b>						
<b>Tag Type</b>		<b>OC-56</b>	<b>OC-85</b>	<b>OC-93</b>		
Maximum Range		27 mm	--	--		
Static Transmission Zone	Typical Height at Sr	11 mm	--	--		
	Typical Length at Sr	70 mm	--	--		
	Typical Width at Sr	45 mm	--	--		
Dynamic Transmission Zone	Minimum Length at Sr	40 mm	--	--		
	Max Lateral Offset	10 mm	--	--		
	Max Angular Offset	20 mm	--	--		

<b>Tag Compatibility Information Chart</b>							
<b>Tag Type</b>		<b>OF-56</b>	<b>OF-71</b>	<b>OF-73</b>	<b>OF-83</b>	<b>OF-85</b>	<b>OF-861</b>
Maximum Range		27 mm	16 mm	16 mm	23 mm	27 mm	--
Static Transmission Zone	Typical Height at Sr	11 mm	6 mm	6 mm	9 mm	11 mm	--
	Typical Length at Sr	70 mm	48 mm	48 mm	55 mm	70 mm	--
	Typical Width at Sr	45 mm	25 mm	25 mm	25 mm	45 mm	--
Dynamic Transmission Zone	Minimum Length at Sr	11 mm	40 mm	40 mm	45 mm	40 mm	--
	Max Lateral Offset	10 mm	4 mm	4 mm	7.5 mm	10 mm	--
	Max Angular Offset	20 mm	20 mm	20 mm	20 mm	20 mm	--

# Tag Compatibility Information Chart (Cont.)

Tag Type		OF-931				
Maximum Range		25 mm				
Static Transmission Zone	Typical Height at Sr	20 mm				
	Typical Length at Sr	60 mm				
	Typical Width at Sr	30 mm				
Dynamic Transmission Zone	Minimum Length at Sr	45 mm				
	Max Lateral Offset	7.5 mm				
	Max Angular Offset	20 mm				

## Dimensional Drawing



L:\Layout-Balogh\TLEB-891  
Housing for TLEB-891/PUR  
Date: 09/09/02  
Scale: 1=1