



189, rue d'Aubervilliers CP 97 75886 PARIS Cedex18 France
 ☎ 33 (0)1.44.65.65.00 🌐 <http://www.balogh-group.com>
 📠 33 (0)1.44.65.65.10 ✉ balogh.sales@balogh-group.com

Network Interface Card

BIDP 170

IDENTIFICATION SYSTEMS

REFERENCES

Generic references: BIDP170## for 2 channels.
 Depending on the tag the card can exchange data with on the corresponding channel a specific firmware is implemented; it is defined by the suffix #, e.g. BIDP170AA is designed for OMA tags reading/writing on both channels.

GENERAL FEATURES

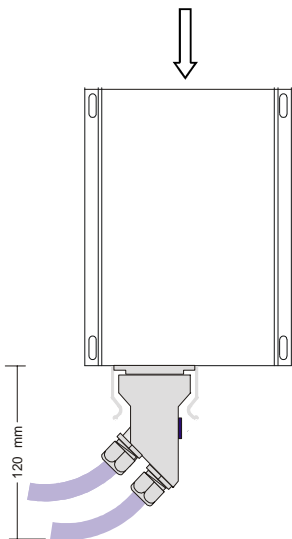
Authorized slave interface for **Profibus® DP-V0** (Ident-Number = 077FHEX).
 It handles up to **two independent R/W channels** (both simultaneously read / write data from / to Balogh tags); the channels may differ from each other in tags type.

Communications occur over an RS-485 link (twisted shielded pair).
 Each BIDP is assumed as a I/O module exchanging frames; their size may be configured: 8, 16, 32 bytes, then, with a 32-byte step, up to 192 bytes (default value: 32).

It features 15,000-byte data buffers and may communicate:

- in simplified (word-based) modes through user programming (addressing capacity: 64 Kbytes),
- in standard mode (addressing capacity: 16 Kbytes), if the BIDP is driven by a functional block (delivered on a CD):
 - ◆ either FS-S7E for Siemens Series 7 (type 3xx or 4xx) PLCs (Step 7 ® shell),
 - ◆ or FG-SD7 for the GE Fanuc CNC (using Cimplicity ® ME shell); one block may drive two BIDPs.

DATA FOR ASSEMBLY



Field mount enclosure.
 Vertical mounting preferable,
 connectors flange downwards.

Use the 130°-angled Y-tap (ref: 495XXB4469),
 fitted with two PG11 stuffing boxes and
 a push-pull lock

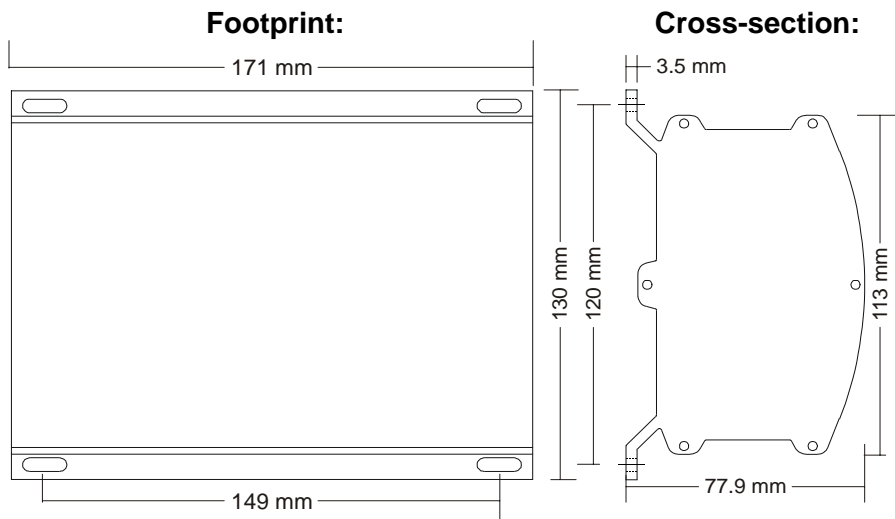
(required clearance: ca. 120 mm).

view of the upper flange bearing the indicator lights:



PROFIBUS DP and Step 7 are registered trademarks of Siemens. CIMPPLICITY is registered trademark of GE Fanuc

four oblong holes
 4.5x14.5 mm are drilled
 for enclosure mounting:



CHARACTERISTICS

	Parameters	MIN	Nominal	MAX	Units
General	Ambient temperature	0		55	°C
	Protection rating	IP 65			-
	Enclosure	Aluminium, PA12 (30%GF)			-
	Weight	1,200			g
Electrical	Supply direct voltage (ripple included)	21	24	29	V
	Protection against polarity reversal	yes			-
	Current consumption (add that of R/W heads) @24VDC				120 mA
Network	Slave number	0		125	-
	Baud rate (auto adaptable)	9.6		12,000	kbauds

CONNECTIONS

Pin nr	Descr.	Use
8	A	RS-485
3	B	
4	RTS	
5	DGnd	
6	VP+5V	generated by BIDP at the end

Voltage	Pin nr
+ 24VDC	1
nc	2, 3
0V	4

Pin nr	1	2	3	4	5
Description	Ucc	Output from head	Input into head	0V	nc

Connection: M12 sockets are keyed (A-coding); cordsets are described in the Accessories data sheet.
 Power supply (male M12 socket): no shield.
 Network (Sub-D): comply with the Profibus-DP cabling guidelines.
 R/W heads (female M12 sockets): refer to the head data sheet for cable requirements:

- cables with overall shield: the overall shield must compulsorily be in contact over 360° to the metallic cable connector housing;
- cables with overall shield + shielded pairs: the overall shield must compulsorily be in contact over 360° to the metallic cable connector housing, while the pair shields are connected to pin 5 (optional);
- cables with shielded pairs, without overall shield: the pair shields must be connected to the metallic cable connector housing.

INDICATOR LIGHTS

The "24V" led indicates the power supply is ON.
 Three leds monitor the activity of each channel: Error, Presence, Execution in progress.
 The bicoloured "Status DP" led indicates whether the BIDP can communicate with the network master.
 The last led is only for maintenance.